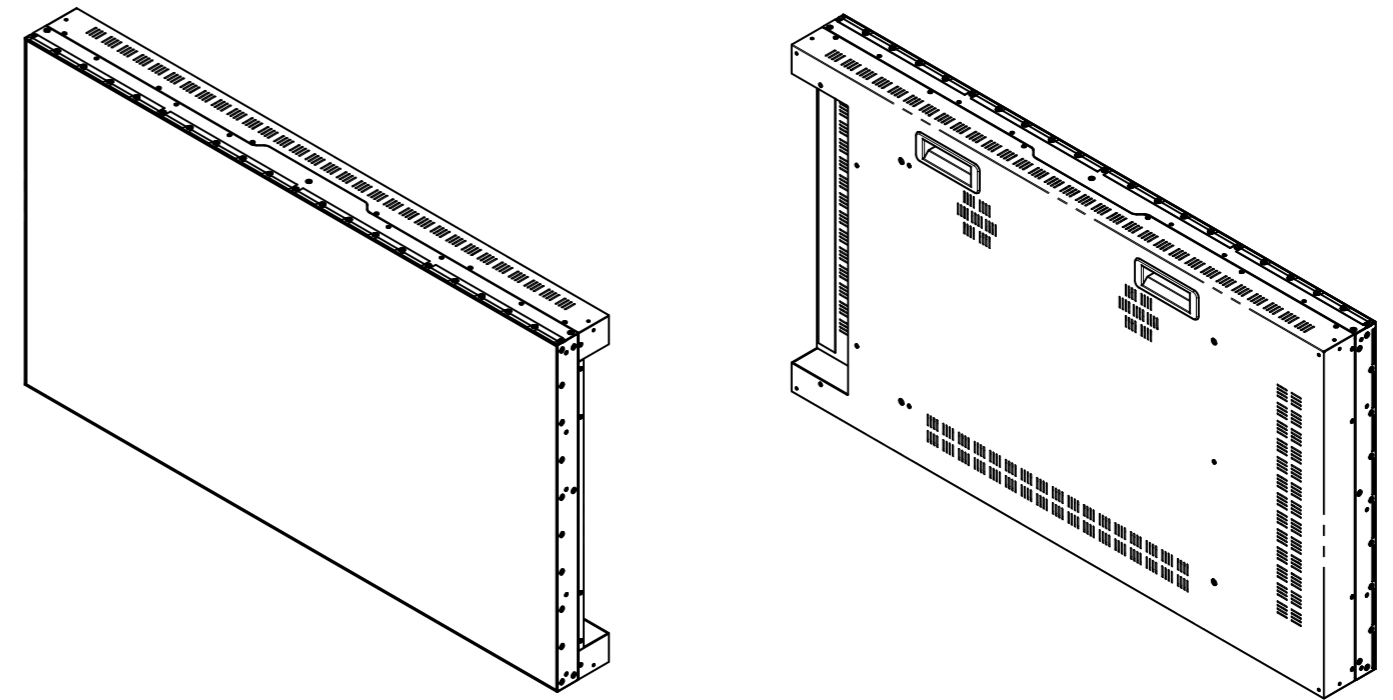


This drawing is the property of HYUNDAI IT CO.,LTD. and should not be disclosed to any third party without prior permission of HYUNDAI IT CO.,LTD..

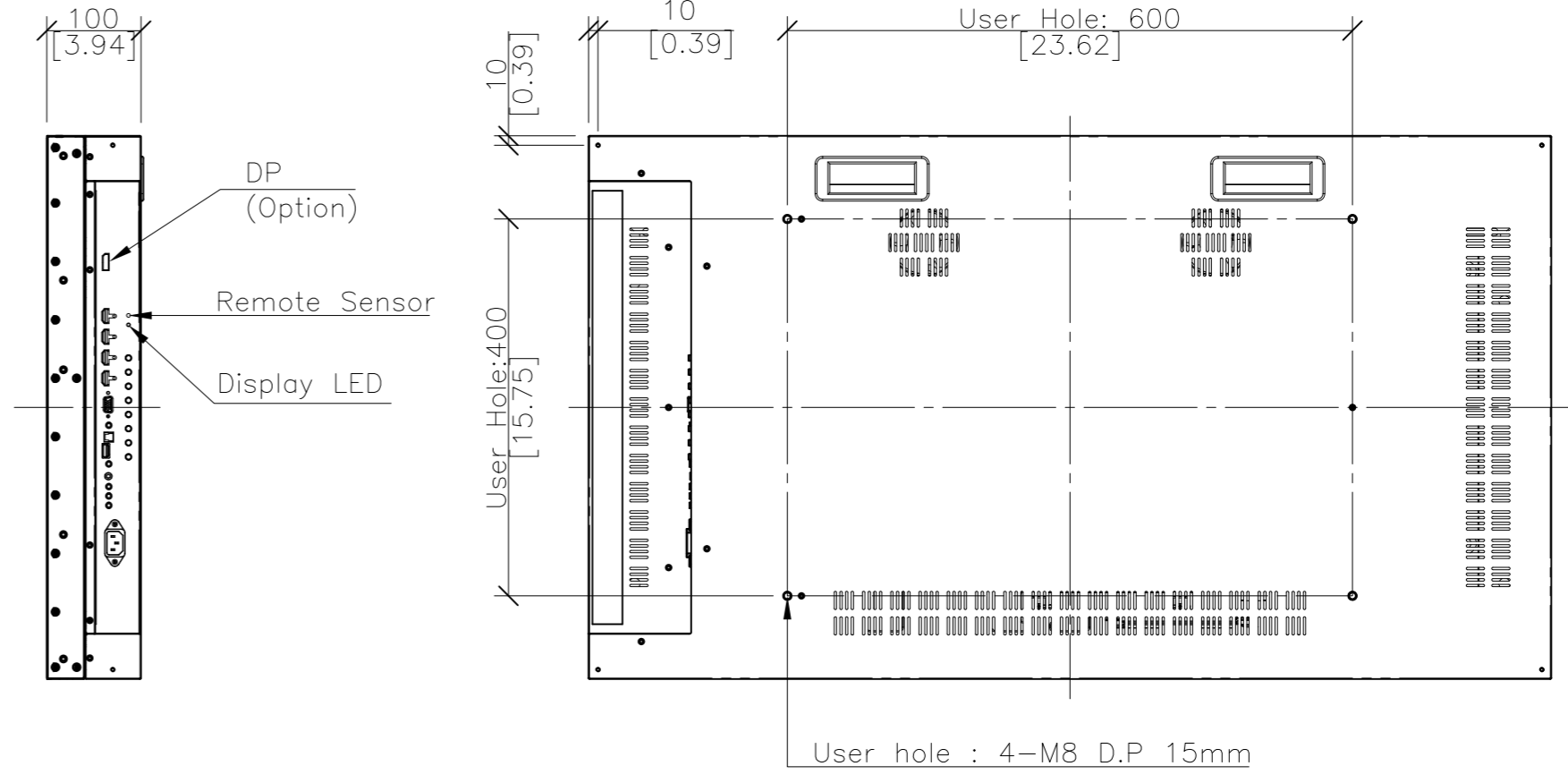
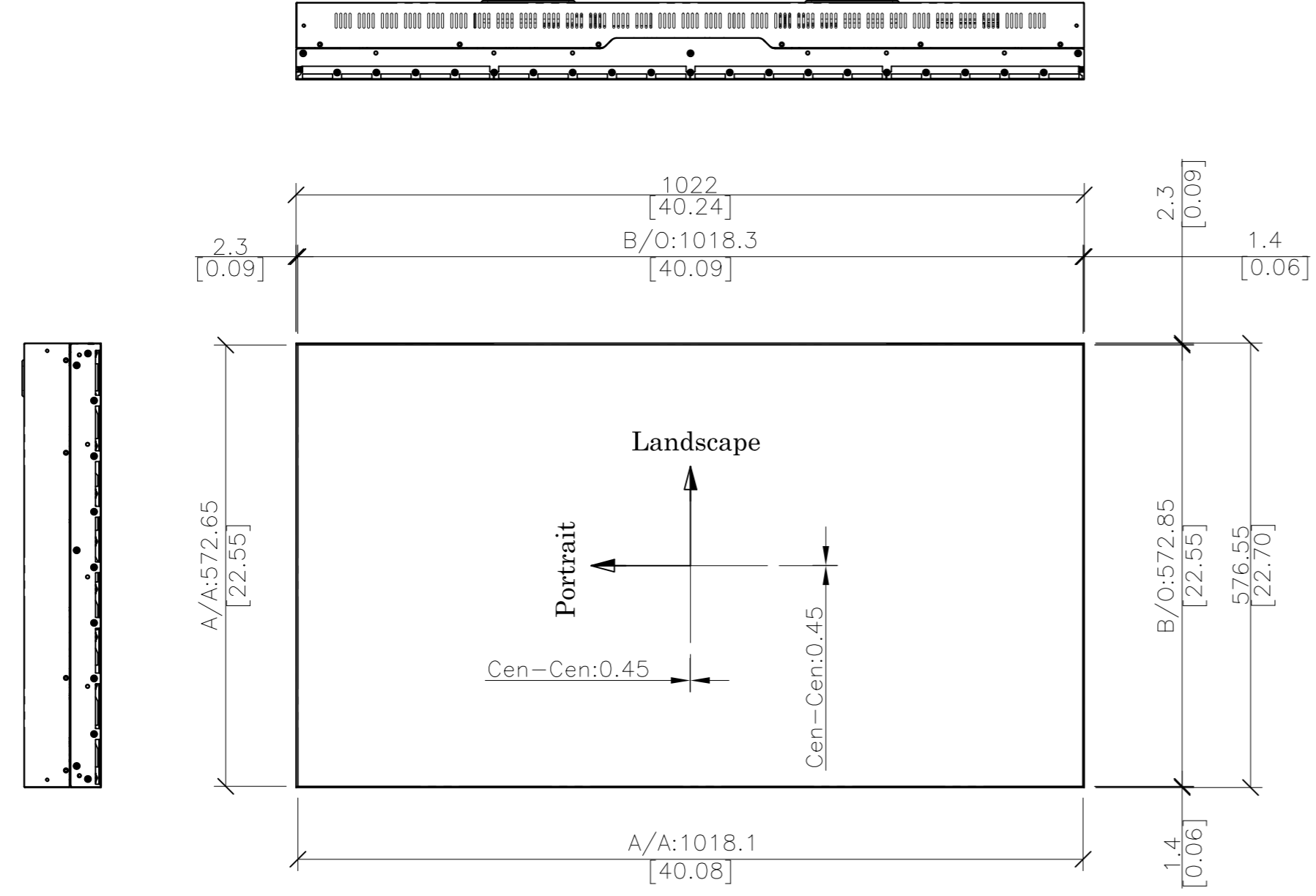
A B C D E F G H I J

REV. NO		REV. HISTORY	LTR	ECO NO	DATE	APPR'L
DWG	PART					
00	00	INITIAL RELEASE	-	-	-	-

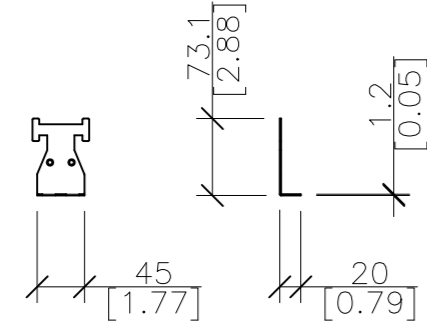
- NOTES,**
- LCD Panel : 46" UNB
 - Material : E.G.I
 - Cabinet Color : Black



① D46SFN Display



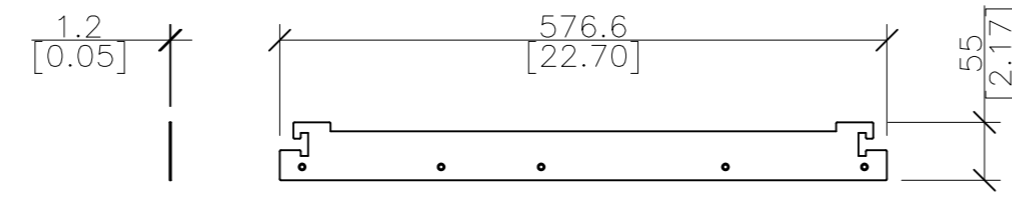
②-5 Multi Brkt Corner - 2Ea



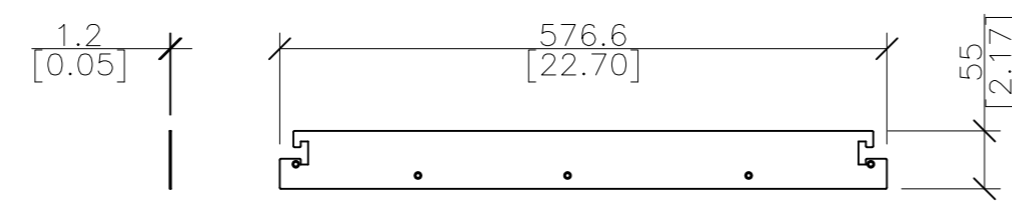
②-6 FLT, M4 x 6mm Screw - 23Ea



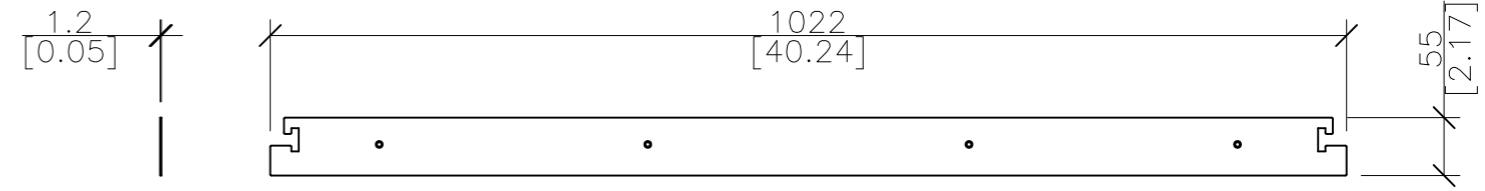
②-3 Multi Brkt Right - 1Ea



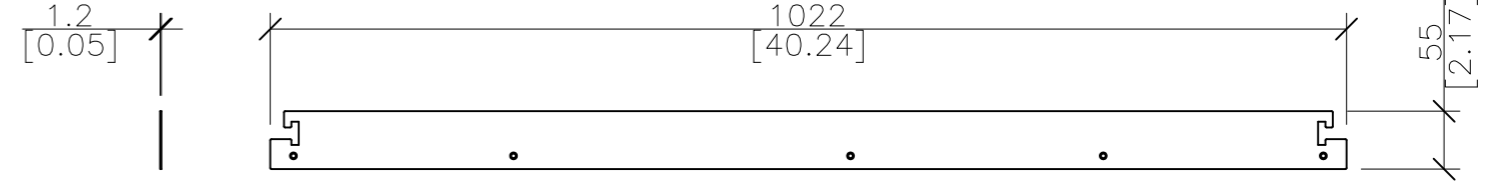
②-4 Multi Brkt Left - 1Ea



②-1 Multi Brkt Top - 1Ea



②-2 Multi Brkt Bot - 1Ea



DRAWN	PLANNED	CHECKED	APPROVED	UNLESS OTHERWISE SPECIFIED ALL DIMENSION ARE IN MILLIMETERS	ANGLE 3rd.	TITLE : D46SFN EXTERIOR VIEW	UNIT : mm
S.W.SEO	S.H.JANG	S.H.JANG	Y.T.KIM		SCALE : 1/10		TYPE : ASSY
'17.06.21	'17.06.21	'17.06.21	'17.06.21	TOLERANCES ARE : LINEAR : X ± 0.2 . X ± 0.1 . XX ± 0.01 ANGLES : ± 0.1° RADII UNLESS NOTED : R 0.3	DWG REV : 00	DWG(PART) NO. D46SFN_001	SIZE : A3
HYUNDAI IT CO., LTD.							MODEL NAME (CODE): D46SFN
				FILE NAME : LAYOUT_D46SF_SERIES_170621.DWG			