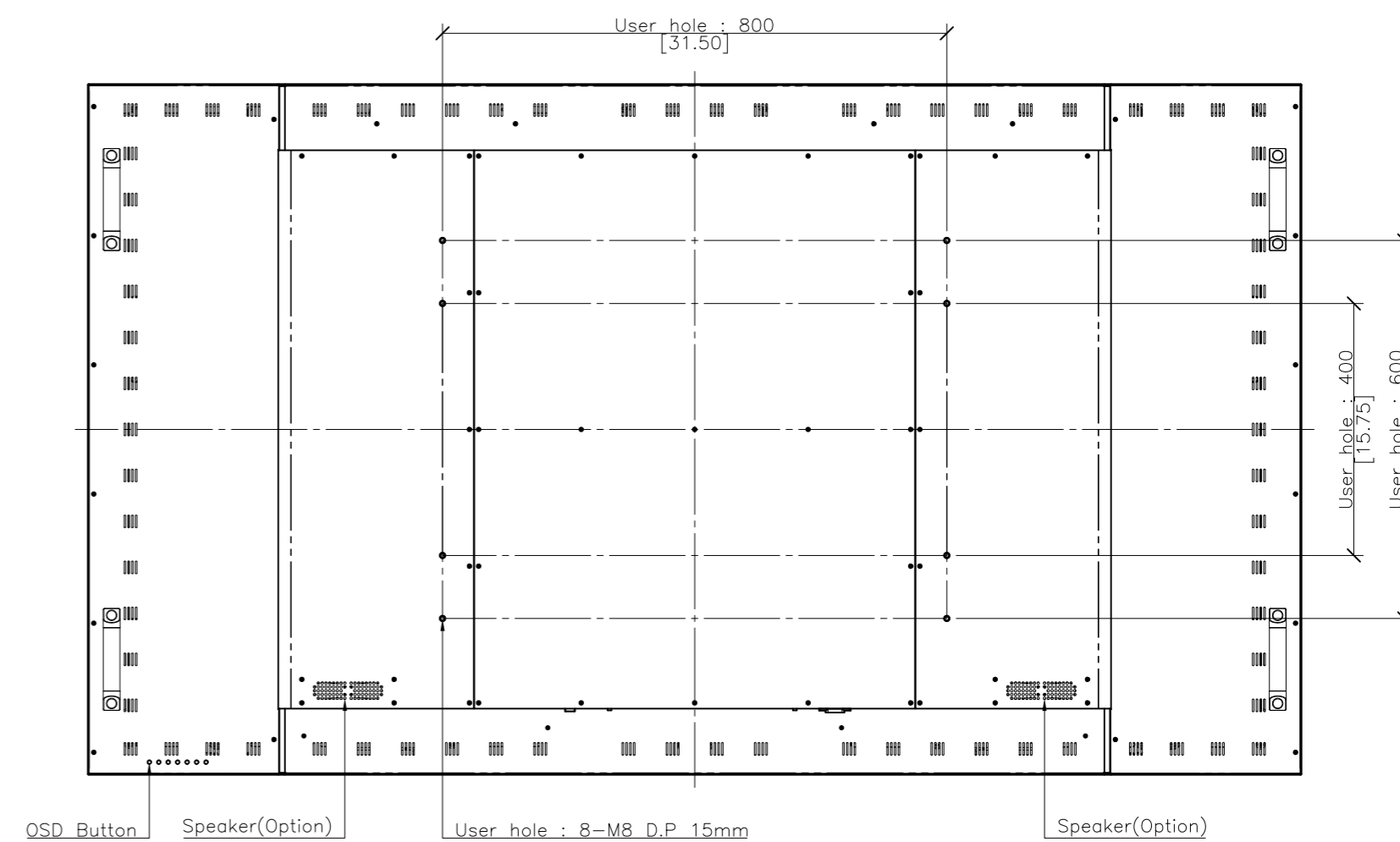
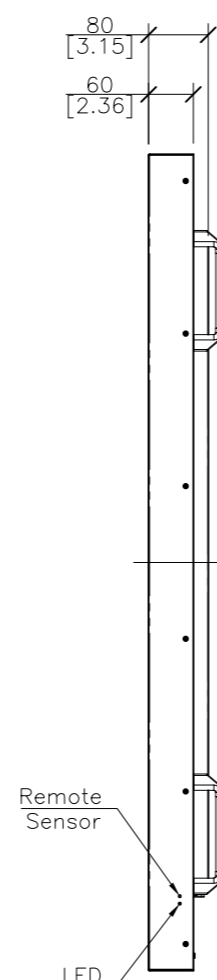
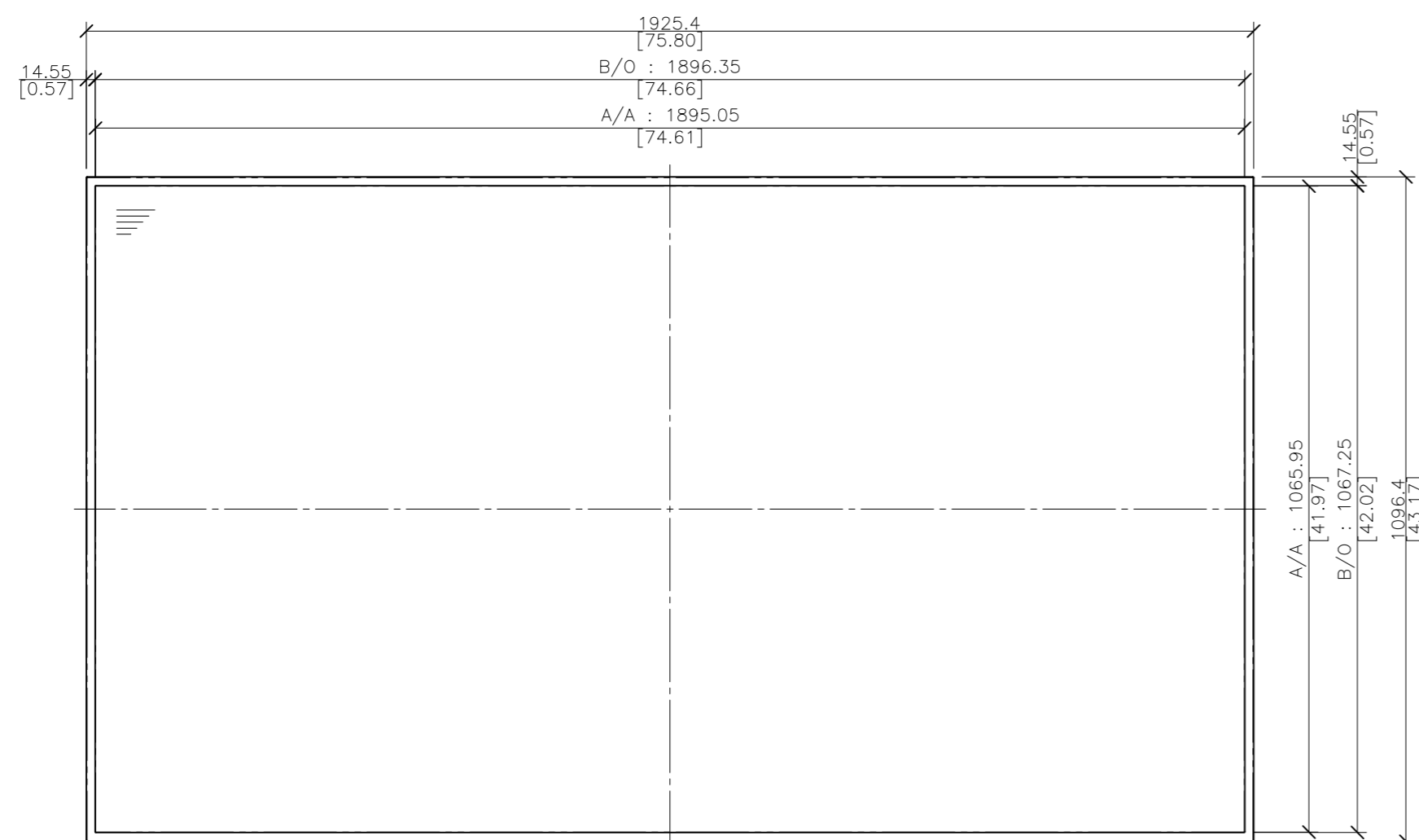
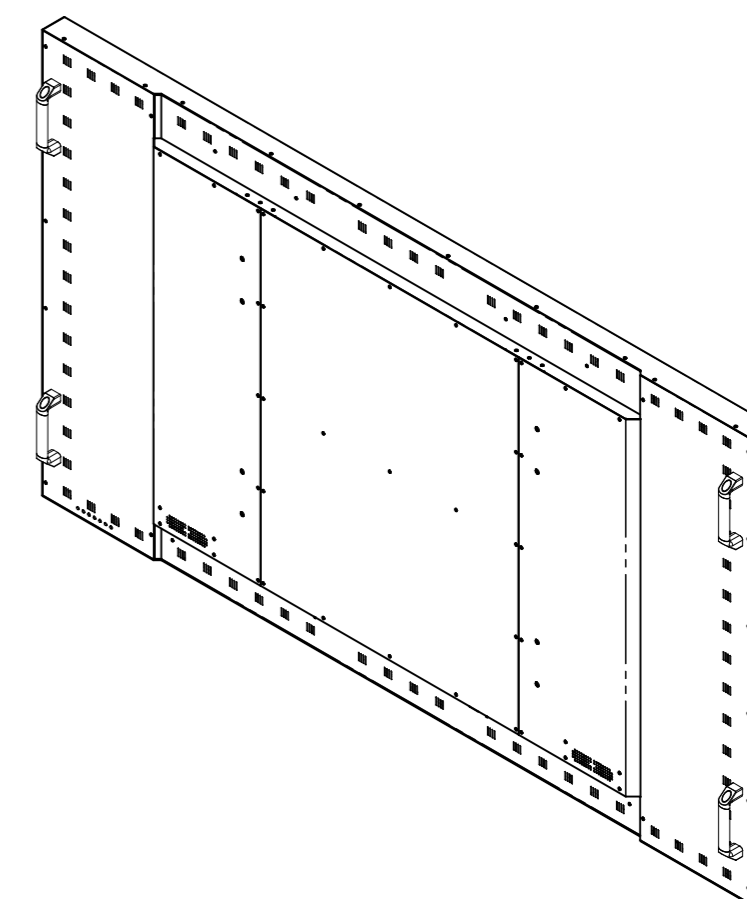
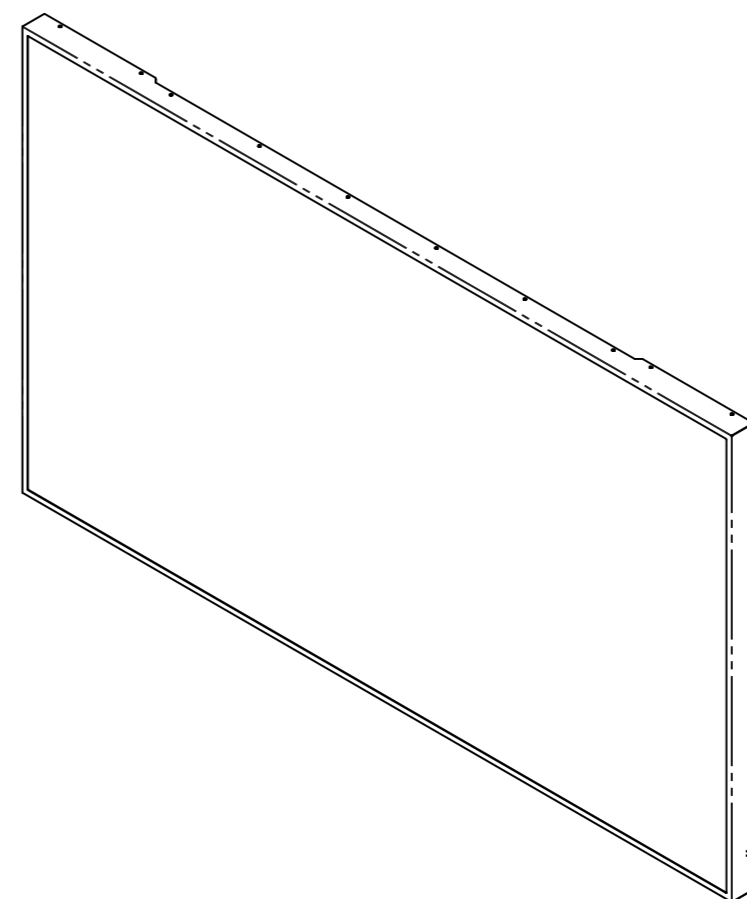
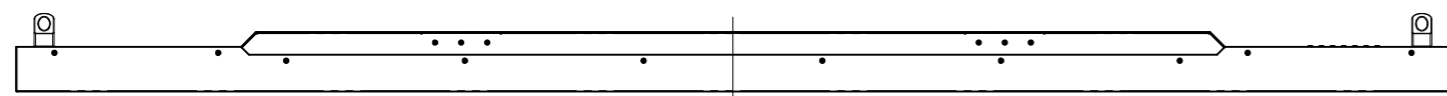


REV. NO		REV. HISTORY	LTR	ECO NO	DATE	APPR'L
DWG	PART					
00	00	INITIAL RELEASE	-	-	-	-



NOTES

1. LCD Panel : 86" LED Back Light Panel
2. Tempered Glass : 5.0t
3. Material : E.G.I
4. Color : Black

DRAWN	PLANNED	CHECKED	APPROVED	UNLESS OTHERWISE SPECIFIED ALL DIMENSION ARE IN MILLIMETERS	ANGLE 3rd.	TITLE :	UNIT : mm
S.W.SEO	S.H.JANG	S.H.JANG	Y.T.KIM	TOLERANCES ARE : LINEAR : X ± 0.20 X ± 0.1 XX ± 0.01 ANGLES : ± 0.1° RADI UNLESS NOTED : R 0.3	SCALE : 1/10	D86UMXG EXTERIOR VIEW	TYPE : ASSY
'17.03.06	'17.03.06	'17.03.06	'17.03.06			DWG(PART) NO. D86UMXG_001	SIZE : A2
HYUNDAI IT CO.,LTD.				MODEL NAME (CODE): D86UMXG	CUSTOMER: HDT	DWG REV : 00	
				FILE NAME : LAYOUT_D86XM_170306.DWG		SHT NO : 1/1	