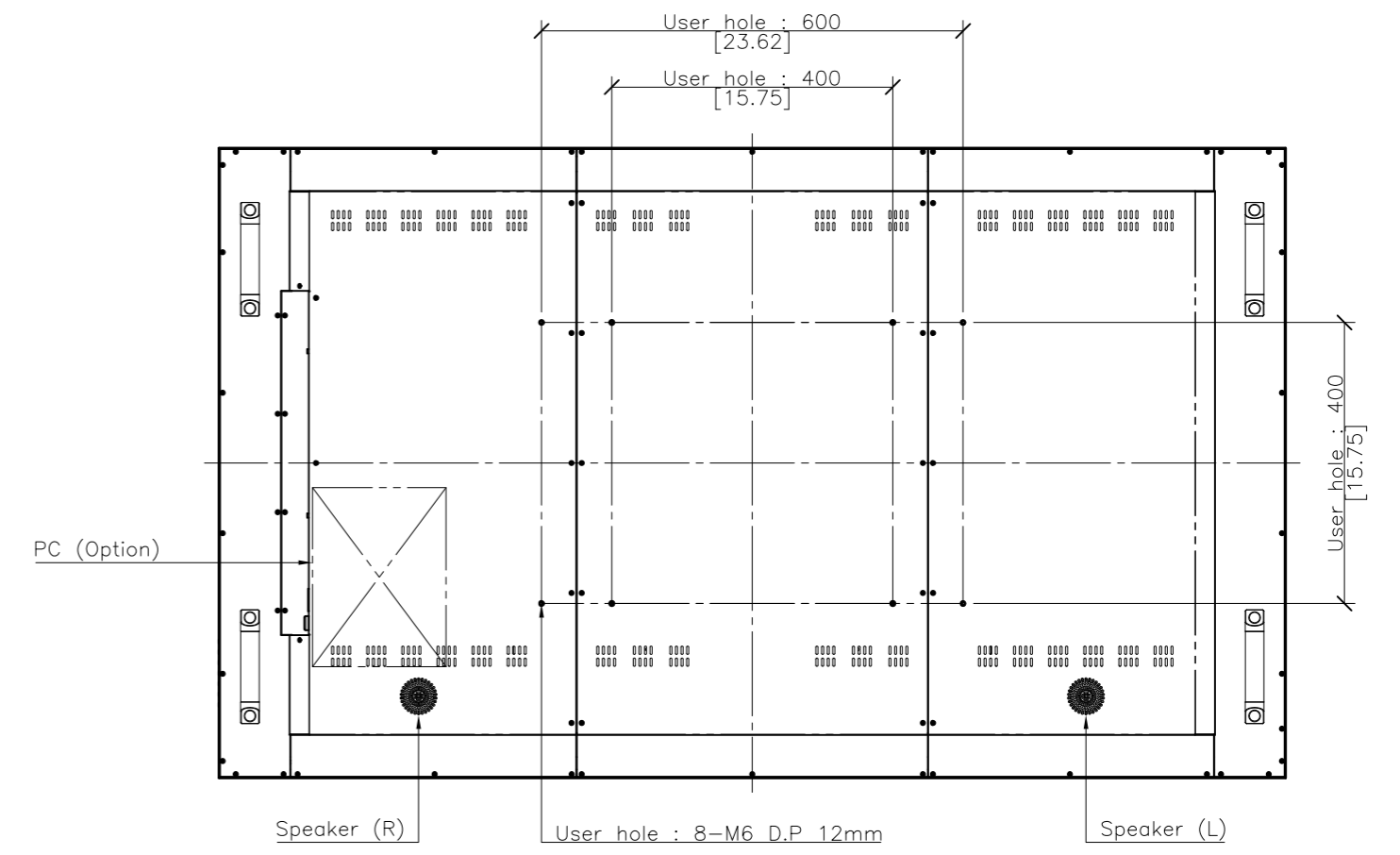
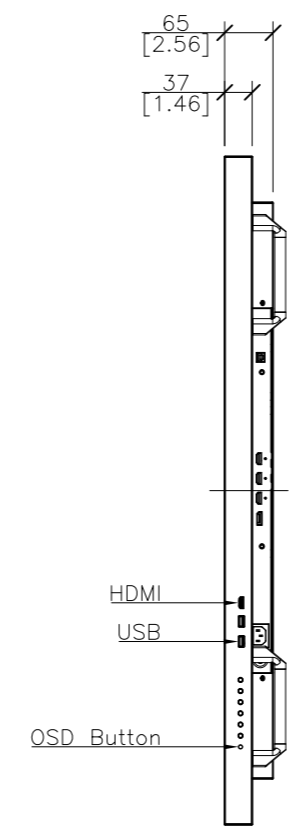
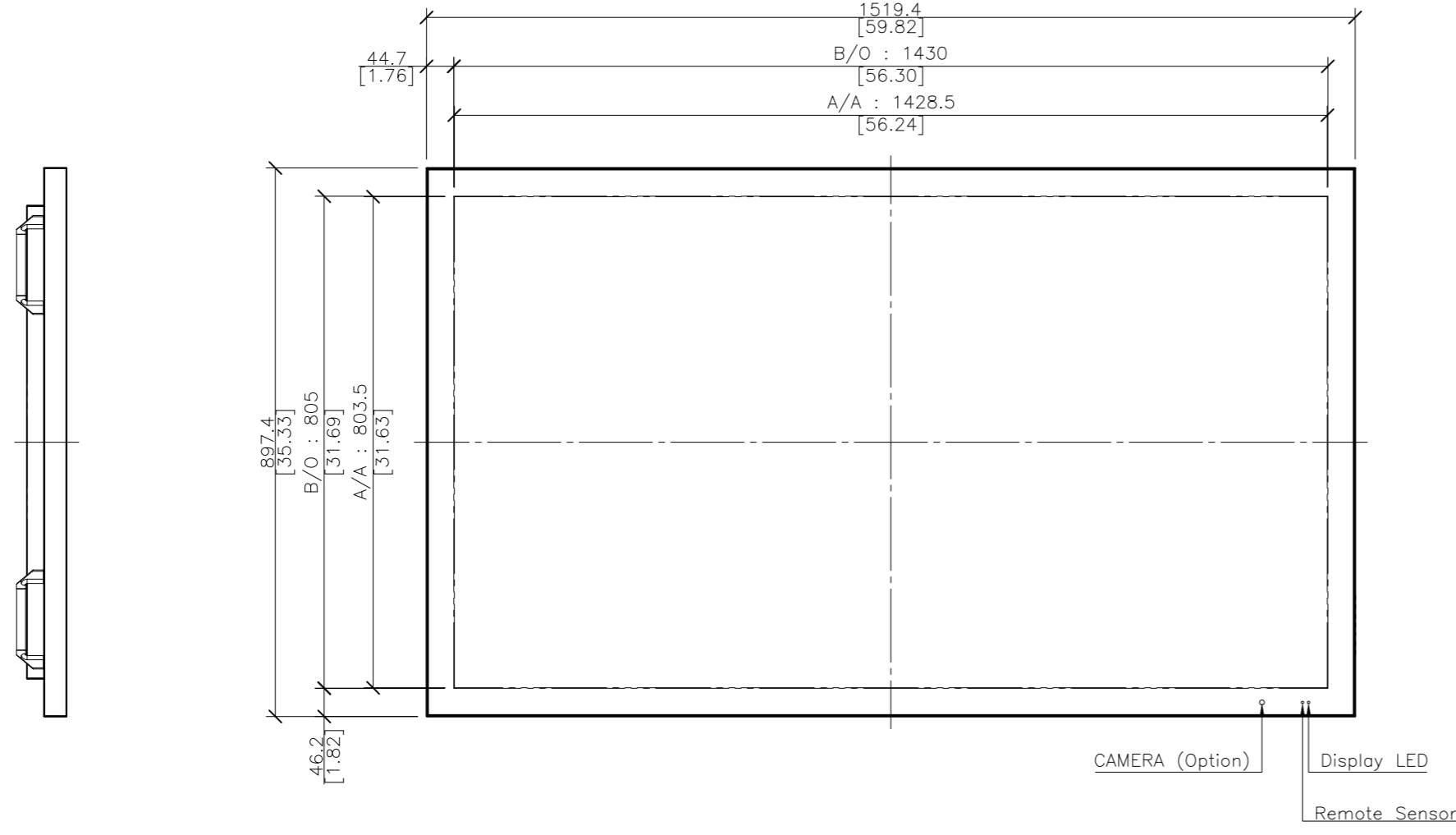
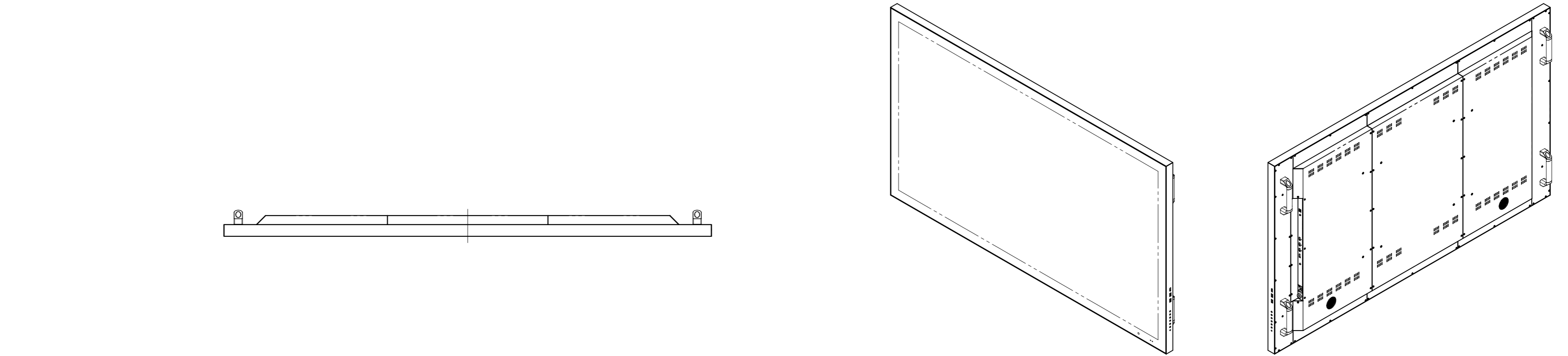


REV. NO		REV. HISTORY	LTR	ECO NO	DATE	APPR'L
DWG	PART					
00	00	INITIAL RELEASE	-	-	-	-



- NOTES.**
- LCD Panel : 65" Panel
 - Tempered Glass : 4.0t
 - Material : E.G.I / Aluminum

DRAWN	PLANNED	CHECKED	APPROVED	UNLESS OTHERWISE SPECIFIED ALL DIMENSION ARE IN MILLIMETERS	ANGLE 3rd.	TITLE : E65UBET EXTERIOR VIEW	UNIT : mm
S.W.SEO	S.H.JANG	S.H.JANG	Y.T.KIM		SCALE : 1/10		TYPE : ASSY
'16.09.20	'16.09.20	'16.09.20	'16.09.20	TOLERANCES ARE: LINEAR : X ± 0.20 X ± 0.1 XX ± 0.01 ANGLES : ± 0.1° RADI UNLESS NOTED : R 0.3		DWG REV : 00	SIZE : A2
HYUNDAI IT CO., LTD.			MODEL NAME (CODE): E65UBET	CUSTOMER: HDT	DWG REV : 00	DWG(PART) NO. E65UBET_001	
			FILE NAME : LAYOUT_E65UBET_160920.DWG		SHT NO : 1/1		

This drawing is the property of HYUNDAI IT Corp. and should not be disclosed to any third party without prior permission of HYUNDAI IT Corp.